

# infinite™ 3



## features

Narrow 3" continuous slot T5 fluorescent.

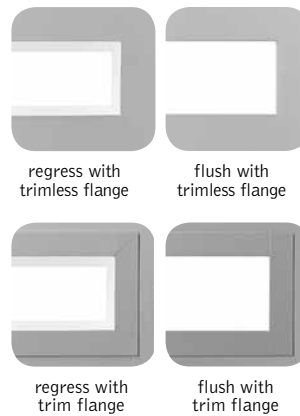
Continuous Flex Roll™ lens creates seamless appearance.

Designed for trim or trimless drywall applications.

Staggered lamp configurations help eliminate socket shadows and create an uninterrupted slot of light.

Shielding options include lens with regress or flush trim configurations.

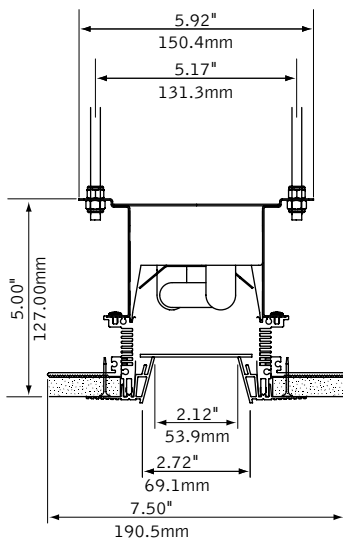
## shielding & mounting options



## dimensional data

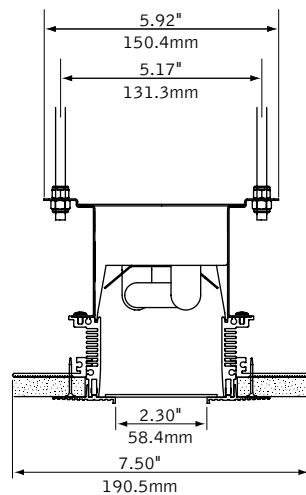
### regress

#### with trimless flange

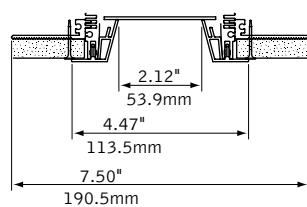


### flush

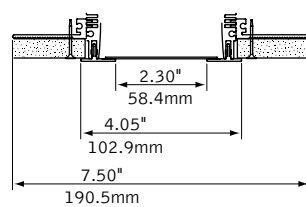
#### with trimless flange



#### with trim flange

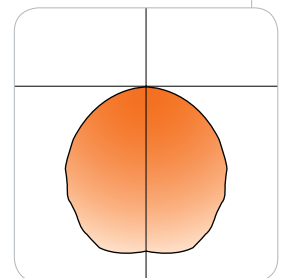


#### with trim flange



## performance

1-Lamp T5H0  
35% Efficiency  
756 cd @ 10°



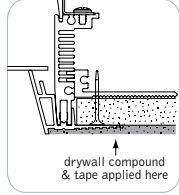
Visit [focalpointlights.com](http://focalpointlights.com) for complete photometric data.

fixture:

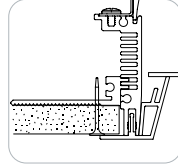
project:

### mounting information

#### trimless flange (XF)



#### trim flange (TF)



### specifications

#### construction

One-piece 20 Ga. steel housing constructed with die-formed steel and aluminum extrusions.

Lower housing, backer flange and regress or flush trim constructed of 6063-T5 extruded aluminum.

4' unit weight: 30 lbs.

8' unit weight: 55 lbs.

#### optic

22 Ga. steel reflectors finished in High Reflectance White powder coat.

Continuous acrylic lens diffuser with satin frosted white finish.

Runs over 40' supplied with multiple lenses.

#### electrical

Electronic ballasts are thermally protected and have a Class "P" rating.

Optional dimming ballasts available.

Consult factory for dimming specifications and availability.

UL and cUL listed.

#### finish

Exposed trims finished in Matte Satin White polyester powder coat applied over a 5-stage pre-treatment.

Reflector and socket bridges finished in High Reflectance White.

### ordering

luminaire series	<u>FIN3</u>
Infinite 3	FIN3

shielding	_____
Regress with Lens	SR
Flush with Lens	FL

lamping	_____
One Lamp Staggered T5	1ST5
One Lamp Staggered T5H0	1ST5H0

circuits	<u>1C</u>
Single Circuit	1C

voltage	_____
120 Volt	120
277 Volt	277
347 Volt	347

ballast	_____
Electronic Program Start <10% TDH	S
Electronic Dimming Ballast*	D
(Consult factory for dimming availability)	

mounting	_____
Trim Drywall Flange	TF
Trimless Drywall Flange	XF

drywall ceiling thickness	_____
1/2" Ceiling	T1
5/8" Ceiling	T2
3/4" Ceiling	T3
7/8" Ceiling	T4
1" Ceiling	T5
1 1/8" Ceiling	T6
1 1/4" Ceiling	T7

factory options	_____
Chicago Plenum	CP
Emergency Circuit*	EC
Emergency Battery Pack*	EM
HLR/GLR Fuse	FU
Include 3000K Lamp*	L830
Include 3500K Lamp*	L835
Include 4100K Lamp*	L841
Lutron™ Sensor Feed*	SF
(EcoSystem ballast required)	

finish	<u>WH</u>
Matte White Housing	WH

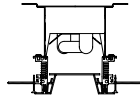
luminaire length*	_____
(See Reference section for run length information.)	

integrator options	_____
(non-illuminated)	
90-degree Corner	FIN3/
Solid Regress, Trimless	XF90-SR
90-degree Corner	FIN3/
Solid Regress, Trim Flange	TF90-SR
90-degree Corner	FIN3/
Flush Lens, Trimless	XF90-FL
90-degree Corner	FIN3/
Flush Lens, Trim Flange	TF90-FL

NOTE: 3' & 4' lamps may appear to be different colors when combined in the same run. Consult lamp manufacturer for details.

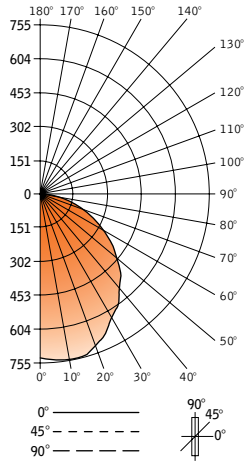
\* for more information see Reference section.

regress with trim flange  
**infinite™ 3**



Filename: FIN3SR1ST5H.IES  
Catalog #: FIN3-SR-1ST5H0-1C-120-S-TF-WH-4'  
Efficiency: 35%  
Test #: 13188.0

**CANDLEPOWER DISTRIBUTION**



Vertical Angle	Horizontal Angle				Zonal Lumens
	0°	22.5°	45°	67.5°	
0°	740	740	740	740	740
5°	749	749	748	747	747
15°	754	750	746	740	733
25°	691	684	659	632	621
35°	610	599	545	510	496
45°	512	479	415	372	358
55°	388	343	276	232	216
65°	263	212	144	102	59
75°	135	59	47	11	41
85°	28	13	12	12	16
90°	0	0	0	0	0
95°	0	0	0	0	0
105°	0	0	0	0	0
115°	0	0	0	0	0
125°	0	0	0	0	0
135°	0	0	0	0	0
145°	0	0	0	0	0
155°	0	0	0	0	0
165°	0	0	0	0	0
175°	0	0	0	0	0
180°	0	0	0	0	0

Spacing 1.3  
Criterion: 1.2

**LUMEN SUMMARY**

Zone	Lumens	% Lamp	% Fixt
0°-30°	587	11.7	33.3
0°-40°	934	18.7	52.9
0°-60°	1522	30.4	86.3
0°-90°	1764	35.3	100.0
<b>Total Luminaire</b>	<b>0°-180° 1764</b>	<b>35.3</b>	<b>100.0</b>

**LUMINANCE DATA (CD/M<sup>2</sup>)**

Vertical Angle	0°	45°	90°
45°	9274	7517	6484
55°	8664	6163	4823
65°	7970	4364	2697
75°	6680	2326	2029
85°	4115	1763	1763

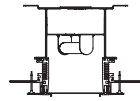
**CO-EFFICIENTS OF UTILIZATION**

Floor	80				70				20						
Ceiling	50				30				10						
Wall	70	50	30	10	70	50	10	50	10	50	10	50	10	50	10
RCR 0	42	42	42	42	41	41	41	39	39	38	38	36	36	35	35
1	39	38	36	35	38	37	35	35	34	34	33	33	32	31	31
2	36	34	32	30	35	33	30	32	29	31	28	30	28	27	27
3	33	30	28	26	33	30	26	29	25	28	25	27	24	24	24
4	31	27	24	22	30	27	22	26	22	25	22	24	21	21	21
5	28	24	21	19	28	24	19	23	19	22	19	22	19	18	18
6	26	22	19	17	26	22	17	21	17	20	17	20	16	16	16
7	24	20	17	15	24	19	15	19	15	18	15	18	14	14	14
8	22	18	15	13	22	18	13	17	13	17	13	16	13	12	12
9	21	16	13	11	20	16	11	15	11	15	11	15	11	10	10
10	19	15	12	10	19	14	10	14	10	14	10	13	10	09	09

Numbers indicate percentage values of reflectivity.

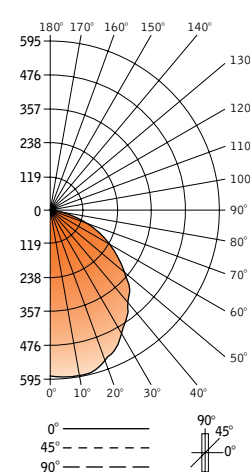
Go to [www.focalpointlights.com](http://www.focalpointlights.com) for additional photometric data.

flush with trimless flange  
**infinite™ 3**



Filename: FIN3FL1ST5H.IES  
Catalog #: FIN3-FL-1ST5H0-1C-120-S-XF-WH-4'  
Efficiency: 33%  
Test #: 12971.0

**CANDLEPOWER DISTRIBUTION**



Vertical Angle	Horizontal Angle				Zonal Lumens
	0°	22.5°	45°	67.5°	
0°	586	586	586	586	586
5°	589	588	588	589	589
15°	593	593	593	593	593
25°	538	538	538	537	537
35°	462	462	462	462	462
45°	389	389	389	388	389
55°	292	292	291	292	294
65°	196	197	197	196	196
75°	106	106	106	106	112
85°	26	26	27	27	28
90°	0	0	0	0	0
95°	0	0	0	0	0
105°	0	0	0	0	0
115°	0	0	0	0	0
125°	0	0	0	0	0
135°	0	0	0	0	0
145°	0	0	0	0	0
155°	0	0	0	0	0
165°	0	0	0	0	0
175°	0	0	0	0	0
180°	0	0	0	0	0

Spacing 1.2  
Criterion: 1.2

**LUMEN SUMMARY**

Zone	Lumens	% Lamp	% Fixt
0°-30°	471	9.4	28.4
0°-40°	761	15.2	45.8
0°-60°	1324	26.5	79.7
0°-90°	1661	33.2	100.0
<b>Total Luminaire</b>	<b>0°-180° 1661</b>	<b>33.2</b>	<b>100.0</b>

**LUMINANCE DATA (CD/M<sup>2</sup>)**

Vertical Angle	0°	45°	90°
45°	7418	7418	7418
55°	6865	6841	6912
65°	6254	6286	6254
75°	5523	5523	5523
85°	4023	4177	4332

**CO-EFFICIENTS OF UTILIZATION**

Floor	80				70				20						
Ceiling	50				30				10						
Wall	70	50	30	10	70	50	10	50	10	50	10	50	10	50	10
RCR 0	40	40	40	40	39	39	39	37	37	35	35	34	34	33	33
1	36	35	34	32	36	34	32	33	31	32	30	30	29	28	28
2	33	31	29	27	33	30	27	29	26	28	25	27	25	24	24
3	31	27	25	23	30	27	23	26	22	25	22	24	21	21	21
4	28	24	22	19	27	24	19	23	19	22	19	22	19	18	18
5	26	22	19	16	25	21	16	20	16	20	16	19	16	15	15
6	24	19	16	14	23	19	14	18	14	18	14	17	14	13	13
7	22	17	14	12	21	17	12	17	12	16	12	16	12	11	11
8	20	16	13	11	20	15	11	15	11	14	11	14	11	10	10
9	18	14	11	09	18	14	09	13	09	13	09	13	09	09	09
10	17	13	10	08	17	13	08	12	08	12	08	12	08	08	08

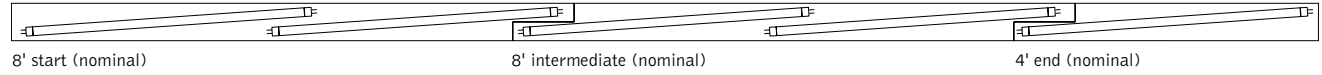
Numbers indicate percentage values of reflectivity.

Go to [www.focalpointlights.com](http://www.focalpointlights.com) for additional photometric data.

# infinite 3 standard run length

Luminaires may be configured by specifying actual run lengths as shown.

Example: 17' - 9-11/16" run = two 8' and one 4'



run length actual	lamp configuration			run length actual	lamp configuration		
	all 3' lamps	all 4' lamps	3' & 4' lamps		all 3' lamps	all 4' lamps	3' & 4' lamps
2' - 11-1/4"	3			25' - 4-5/8"	6 6 6 6 6		
3' - 11-1/16"		4		26' - 3-7/16"			8 8 8 6
5' - 4-3/4"	6			27' - 10-5/8"	6 6 6 6 6 3		
6' - 4-9/16"			4 3	28' - 3"		8 8 8 8	
7' - 4-3/8"		8		28' - 10-7/16"			6 6 6 6 6 4
7' - 10-3/4"	6 3			30' - 4-5/8"	6 6 6 6 6 6		
8' - 10-9/16"			6 4	30' - 9"			8 8 8 8 3
9' - 10-5/16"			8 3	31' - 8-3/4"		8 8 8 8 4	
10' - 4-3/4"	6 6			32' - 10-9/16"	6 6 6 6 6 6 3		
10' - 10-1/8"		8 4		33' - 2-15/16"			8 8 8 8 6
12' - 4-5/16"			8 6	33' - 10-3/8"			6 6 6 6 6 6 4
12' - 10-11/16"	6 6 3			35' - 2-9/16"		8 8 8 8 8	
13' - 10-1/2"			6 6 4	35' - 4-9/16"	6 6 6 6 6 6 6		
14' - 3-7/8"		8 8		37' - 8-1/2"			8 8 8 8 8 3
14' - 10-5/16"			8 6 3	37' - 10-9/16"	6 6 6 6 6 6 6 3		
15' - 4-11/16"	6 6 6			38' - 8-5/16"		8 8 8 8 8 4	
15' - 10-1/8"			8 6 4	38' - 10-3/8"			6 6 6 6 6 6 6 4
16' - 9-7/8"			8 8 3	40' - 2-1/2"			8 8 8 8 8 6
17' - 4-1/4"			8 6 6	40' - 4-9/16"	6 6 6 6 6 6 6 6		
17' - 9-11/16"		8 8 4		42' - 2-1/8"		8 8 8 8 8 8	
17' - 10-11/16"	6 6 6 3			42' - 10-1/2"	6 6 6 6 6 6 6 6 3		
18' - 10-1/2"			6 6 6 4	44' - 8-1/16"			8 8 8 8 8 8 8 3
19' - 3-7/8"			8 8 6	45' - 4-1/2"	6 6 6 6 6 6 6 6 6		
20' - 4-11/16"	6 6 6 6			45' - 7-7/8"		8 8 8 8 8 8 4	
21' - 3-7/16"		8 8 8		47' - 2-1/16"			8 8 8 8 8 8 6
22' - 10-5/8"	6 6 6 6 3			47' - 10-1/2"	6 6 6 6 6 6 6 6 6 3		
23' - 9-7/16"			8 8 8 3	48' - 10-5/16"			6 6 6 6 6 6 6 6 4
23' - 10-7/16"			6 6 6 6 4	49' - 1-5/8"		8 8 8 8 8 8 8 8	
24' - 9-1/4"		8 8 8 4					

3' & 4' lamps may appear to be different colors when combined in the same run. Consult lamp manufacturer for details.